



Industrial Grade AP AP One Rugged



11ac Access Point

Connect your devices with 11ac while enjoying industrial-grade reliability.

11ac



5GHz 1300Mbps
2.4GHz 450Mbps



Simultaneous Dual-Band

Reduce Wi-Fi congestion and interference. Simultaneous dual-band Wi-Fi on the AP One Enterprise gives you two independent networks that work together, so all of your devices can connect without clashing.



Metal Enclosure

Deploy your access point almost anywhere. The AP One Rugged is built with industrial-grade components that stand up to harsh environments and extreme temperatures.

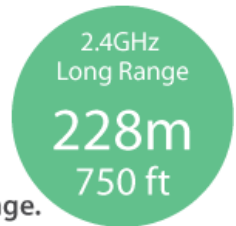
Wide Coverage

Get a strong signal and great coverage wherever you work. The AP One Rugged supports 2.4 GHz high-power Wi-Fi for wider range and better performance than ever.



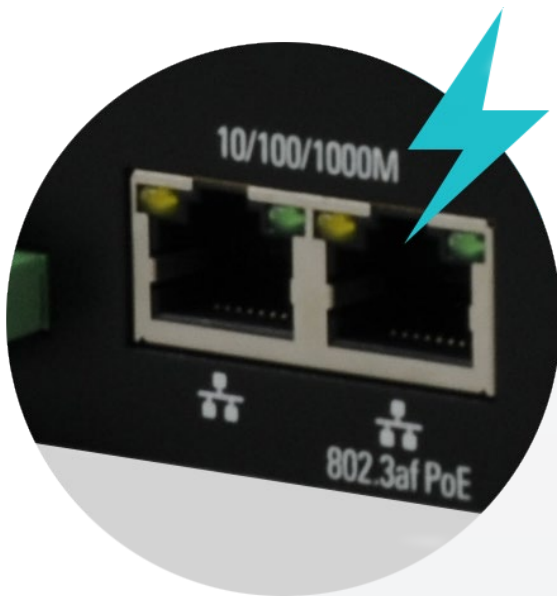
Enterprise-grade. Good range.

I've only implemented two of these, but they replaced four previous WAPs and effectively cover 2500 sq. ft. Solid, and highly configurable.



Ease of Deployment

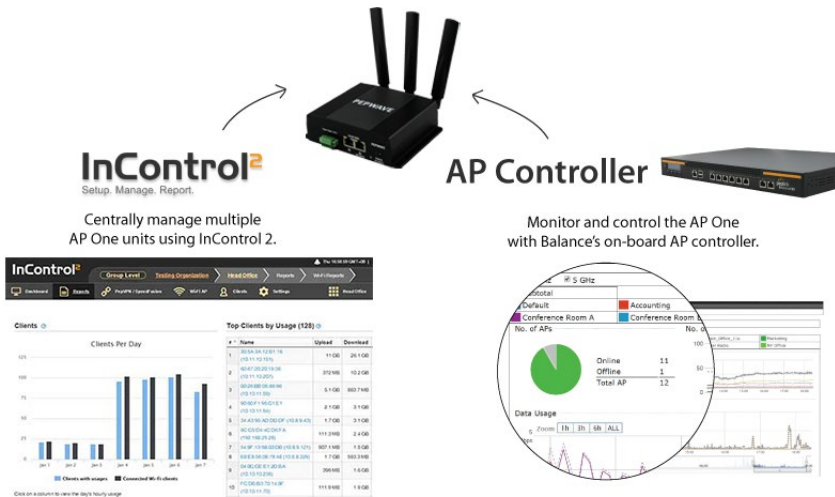
The 2-port switch allows the AP One Rugged to be dropped into any network transparently, without need for extra cabling.



User Access Control

Control network access with separate logins for each user group. AP One access points support up to 16 SSIDs, each with independent bandwidth limits and web blocking.





Centralised Management

Configure AP One access points onsite or from the cloud. Our AP Controller lets you locally manage access points from your Balance router, while InControl2 offers a complete cloud-based solution accessible from any web-browser.



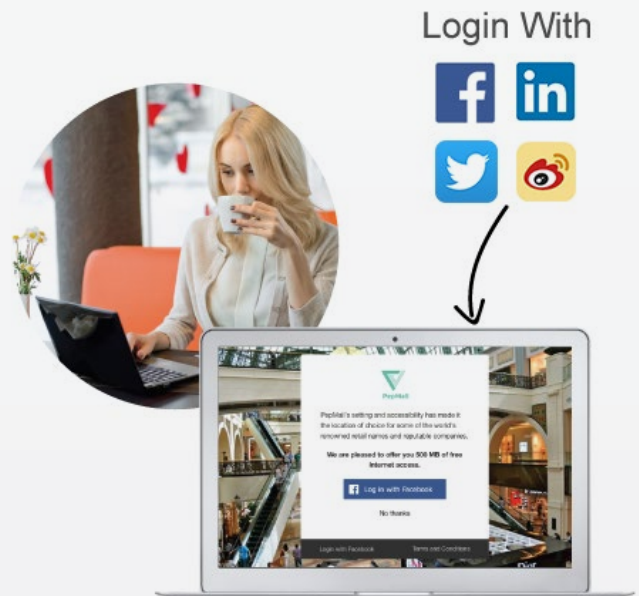
Complete Network Solution

Enjoy better network integration and performance. AP One access points are a perfect complement to Balance routers, together providing blazing speed and superior reliability across your entire network.

Social Wi-Fi Hotspot

Guests can now access your Wi-Fi hotspot with their Facebook login. In exchange, you can learn more about your customer base with insightful reports.

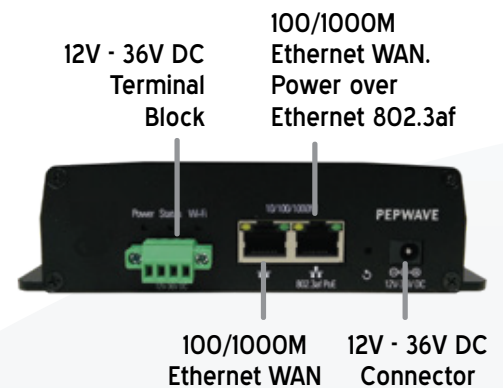
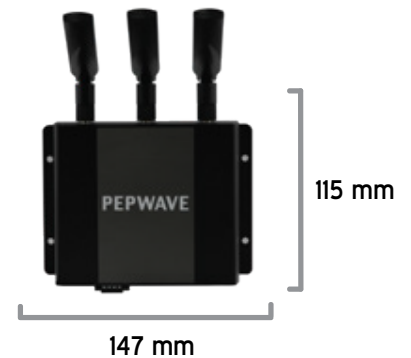
[Learn more about Social Wi-Fi Hotspot >](#)





SPECIFICATIONS

- **Product Code:** APO-RUG
- **Ethernet Port:** 2x GE
- **Wi-Fi Standard:** Simultaneous 802.11ac/a/n and 802.11b/g/n
- **Data Rates:** 3x3 MIMO, 2.4 GHz: 450Mbps, 5GHz: 1300Mbps
- **Recommended Concurrent Users Per Radio:** 60
- **SSID Per Radio:** 16
- **Transmit Power:** 2412 – 2472 MHz: 24dBm, 5180 – 5825 MHz: 22dBm
- **Included Antenna:** 2x Dual-Band Omni Antenna, Antenna gain: 3dBi for 2.4GHz, 5dBi for 5GHz
- **Antenna Connector:** 3x RP-SMA Connectors
- **Enclosure:** Ruggedised Metal
- **Weight:** 420 grams
- **Power Input:** AC Input 100V – 240V, DC Output 12V, 802.3af PoE
- **Power Consumption:** 13W (max.)
- **Operating Temperature:** -40° – 65°C
- **Humidity:** 15% – 95% (non-condensing)
- **Certifications:** FCC, CE, RoHS
- **Warranty:** 1-Year Limited Warranty
- **Package Content:**
AP One Rugged
12V2A Power Supply
3x 5dBi Omni Antenna



ORDERING INFORMATION

Product Code	Product Name	Description
APO-RUG	AP One Rugged	Simultaneous 802.11ac/a/n 1300Mbps and 802.11b/g/n 450Mbps. External omni antennas included.

FEATURE ADD-ON

Product Code	Feature Pack	Description
ACW-510	Ball Joint Mount for IP55 Outdoor Products	Wall/pole mount with flexible ball-joint for high-precision installation.



PoE INJECTOR

Product Code	Description
ACW-107	802.3af/at PoE Injector
ACW-109	PoE Kit for IP55 Outdoor Products
ACW-622	Includes 1x 56V Power Supply. Enables 802.3at/af PoE Output Ports (PoE License automatically applied after kit purchase)
SIM-BK8-4E-56V	SIM Injector, 8x SIM cards capacity, 4x 10/100/1000 LAN ports, 56V DC (compatible with HW revision 4 or above)

FEATURES

Network

Bridge Mode
Router (NAT) Mode
Wireless Distribution System (WDS)
Support for PPPoE, Static IP, DHCP
Management VLAN
Spanning Tree Protocol

Radio

Multiple SSID
Auto Channel Selection
Transmit Power Adjustment
Neighbour AP Detection

Client Management

Per SSID
VLAN with QoS
(802.1p/802.1Q)

Bandwidth Control
MAC Address Filtering
Layer 2 Client Isolation
Limit on Max. Number of Client
Per Client
VLAN with RADIUS
VLAN with VLAN Pool
Bandwidth Control
Multicast Filter
IGMP Snooping/Multicast
Enhancement

AP Security

Open, WEP
802.1X with Dynamic WEP
WPA2-Personal
WPA2-Enterprise
WPA/WPA2-Personal
WPA/WPA2-Enterprise

Complete VPN Solution

PepVPN
Site-to-Site VPN
256-bit AES Encryption
Pre-shared Key Authentication

Captive Portal

By InControl
By Peplink AP Controller

Device Management

Web Administrative Interface
InControl Cloud Management
Peplink AP Controller
SNMP v1, v2c and v3

Certification

FCC, CE, RoHS

Why Rising Connection is using equipment designed and built by Peplink?

- Industry leader in both ISP & Data Bonding across multiple technology platforms
- Reliable hardware from entry level professional equipment through to advanced Enterprises solutions
- Worldwide supported and local support here in Australia by fully trained technicians
- Reliable and secure redundancy paths for mission critical sites
- Designed for maximum possible business uptime

This demonstrates to Rising Connection that you will have the Quality, Reliability and Product Support.