



Industrial-Grade 4G LTE Router MAX BR1 MK2



Compatible With:

verizon | Sprint | at&t | T-Mobile

OPTUS | vodafone | T | 2 | Spark

And worldwide 4G LTE/3G carriers



Automatic Failover 4G LTE Router.

The BR1 offers automatic switching, DC or terminal block power capability, advanced GPS fleet tracking, and remote management, all packed into a durable metal enclosure.



Fleet Tracking and Management



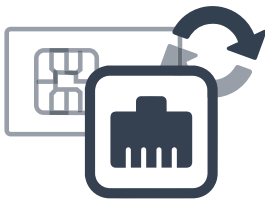
With built-in GPS fleet tracking and InControl cloud based management, you can keep tabs on location and manage your mobile network from any Internet connected device.

Customise Captive Portal



Branding your captive portal is as easy as uploading your logo and terms & conditions. You can easily set bandwidth allowance and access duration per user or manage access using RADIUS.

SpeedFusion Hot Failover



SpeedFusion technology powers MAX BR1 for seamless failover.

Terminal Block for Secure Power Supply



MAX BR1 is equipped with a terminal block for secure power installation in vehicles and other locations.

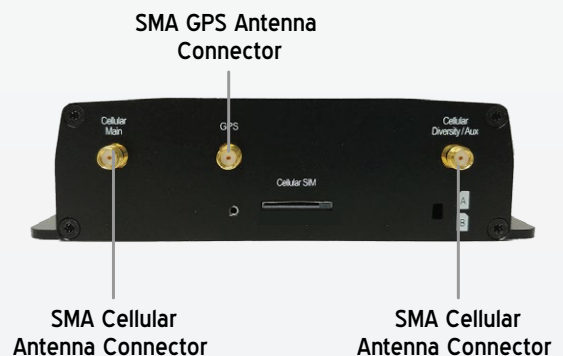
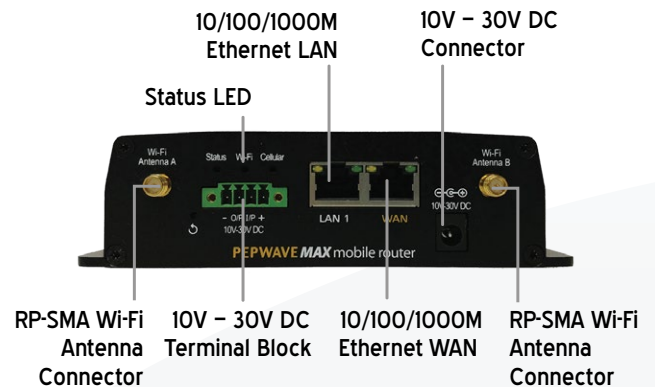
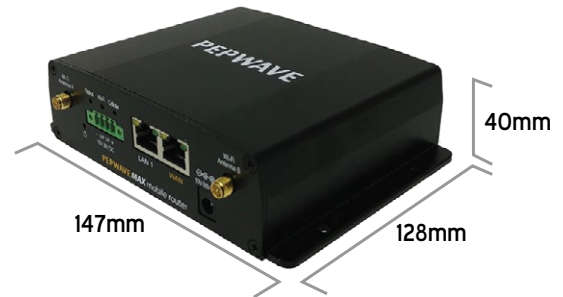
Certified Toughness



In addition to rugged metal enclosure, BR1 has certifications on:
Shock and vibration resistance (EN 61373:1999, IEC 61373:1999),
Railway applications (EN 50155),
Electromagnetic Compatibility (EN 61000)

SPECIFICATIONS

- **WAN Interface:** 1x GE, 1x Embedded LTE-A Modem
- **LAN Interface:** 1x GE
- **Wi-Fi Interface:** 802.11ac/a/b/g/n 2x2 MIMO Simultaneous Dual-Band, Wi-Fi WAN & AP
- **Router Throughput:** 100Mbps
- **Recommended Users:** 1-60
- **Cellular and GPS Antenna Connector:** 2x SMA Antenna Connectors, 1x SMA GPS Antenna Connector, 2x Wi-Fi Connector
- **Power Input:** DC Jack/Terminal Block: 10V – 30V DC
- **Power Consumption:** 16W (max.)
- **Dimensions:** 147 x 128 x 40 mm
- **Weight:** 435 grams
- **Operating Temperature:** -40° – 55°C
- **Humidity:** 15% – 95% (non-condensing)
- **Certifications:** FCC, CE, RoHS, E-Mark, IC, Class I, Division II: Hazardous Locations, RF Port Lightning Immunity: ITU-T K.20 (+/- 1.5 kV), EN 61373:1999 IEC 61373:1999 : Shock and Vibration Resistance, EN 50155: Railway Applications, EN 61000: Electromagnetic Compatibility
- **Warranty:** 1-Year Limited Warranty
- **Package Content:** MAX BR1 MK2, 12V 2A Power Supply (ACW-601), 2x Wi-Fi Antennas (ACW-341), 1x GPS Antenna (ACW-232), 2x 4G LTE Antennas (4G LTE) (ACW-815)





ORDERING INFORMATION

Product Code	Carrier	Embedded Modem	4G Bands	3G Bands
MAX-BR1-MK2-LTEA-P-T	Asia Pacific	1	B1, B3, B5, B7, B8, B18, B19, B21, B28, B38, B39, B40, B41	WCDMA/HSPA+/DC-HSPA+: B1, B5, B6, B8, B9, B19 TD-SCDMA: B39

FEATURE ADD-ON

Product Code	Feature Pack	Description
MAX-BR1-ADV	Advanced Feature Pack	Package includes a software license key for Advanced Car-Fi Roaming; and SpeedFusion and IPsec X.509 Certificate Support
PVN-LC-05	PepVPN License Key for Velocity and BR1 family	Enables up to 5 PepVPN connections

Why Rising Connection is using equipment designed and built by Peplink?

- Industry leader in both ISP & Data Bonding across multiple technology platforms
- Reliable hardware from entry level professional equipment through to advanced Enterprises solutions
- Worldwide supported and local support here in Australia by fully trained technicians
- Reliable and secure redundancy paths for mission critical sites
- Designed for maximum possible business uptime

This demonstrates to Rising Connection that you will have the Quality, Reliability and Product Support.
