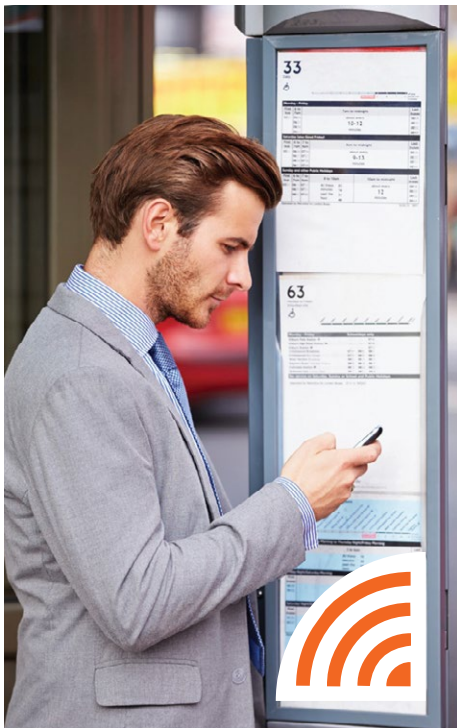




Single LTE-A Pro Router for
Transportation Wi-Fi



MAX Transit



Compatible With:



And worldwide 4G LTE/3G carriers

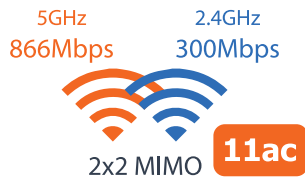
Built for Transportation Deployments

With a compact form factor, simultaneous dual-band 11ac Wi-Fi, the MAX Transit is ready to deliver fast, reliable Wi-Fi to your passengers.



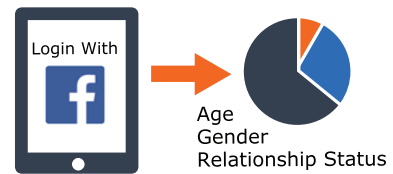


Simultaneous Dual-Band Wi-Fi



Reduce Wi-Fi congestion and interference. Simultaneous dual-band Wi-Fi gives you two independent networks that also work together, maximising the throughput that your passengers can enjoy.

Captive Portal with Social Wi-Fi



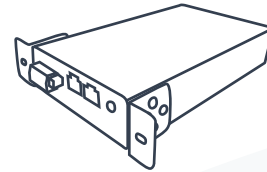
The MAX Transit comes with a customisable captive portal what allows passengers to login with Facebook. As they login, you can use InControl2 to see insightful reports on user demographics.

External Captive Portal for Advertising Servers



The MAX Transit also supports external captive portals, enabling you to connect to an advertising server. That way, your Wi-Fi hotspots can become a source of revenue.

Install it Anywhere



With mounting ears that can be installed from many angles and optional DIN rail mounts, the MAX Transit is ready to fit into just about any space you have available.

Certified Toughness

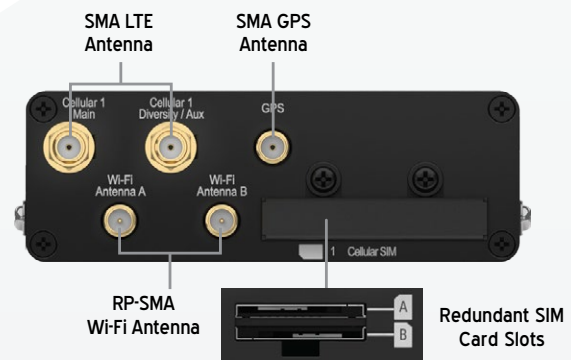
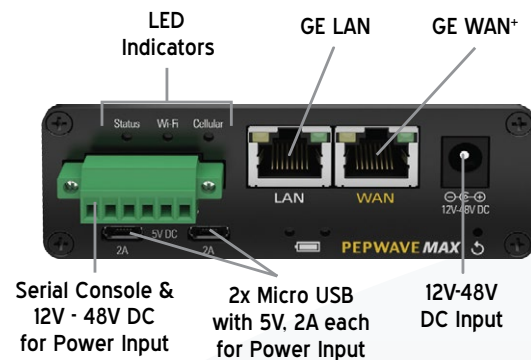


In addition to rugged metal enclosure, the MAX Transit has certifications on:
Shock and vibration resistance (EN 61373:1999, IEC 61373:1999),
Railway applications (EN 50155),
Electromagnetic Compatibility (EN 61000),
eMark (ref: E13*10R00*10R05*13664*00)



SPECIFICATIONS - MAX TRANSIT (CAT-6, CAT-12)

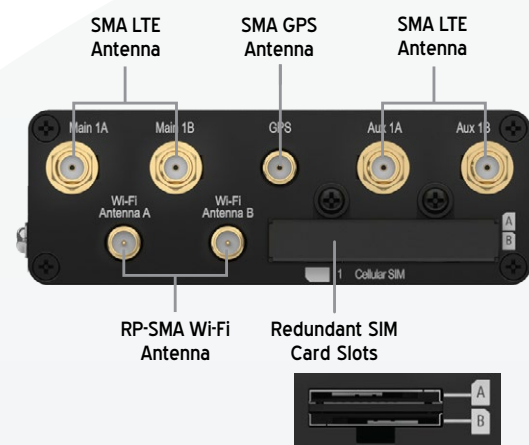
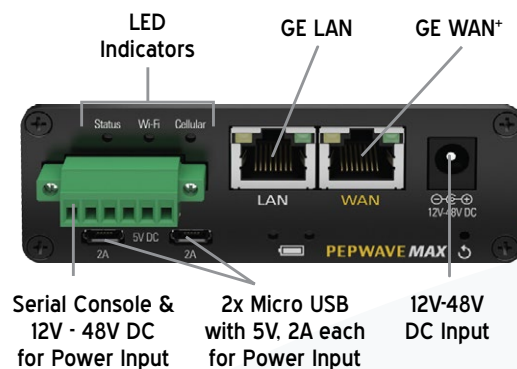
- **Cellular WAN Interfaces:** Single LTE-A Modem
- **SpeedFusion Hot Failover:** Yes
- **SpeedFusion WAN Smoothing:** No
- **SpeedFusion Bandwidth Bonding:** No
- **Number of PepVPN SpeedFusion Peers:** 2/5[^]
- **WAN Interface:** 1x GE⁺
- **LAN Interface:** 1x GE
- **USB LAN Port:** Micro-USB B
- **Load Balancing/Failover:** Yes
- **Router Throughput:** 400Mbps
- **SpeedFusion Throughput (No Encryption):** 100Mbps
- **SpeedFusion Throughput (256-bit AES):** 60Mbps
- **Recommended Users:** 150
- **Downlink/Uplink Datarate:** 300Mbps/50Mbps
- **Wi-Fi Standard:** 802.11ac/a/b/g/n 2x2 MIMO
- **Transmit Power (2.4GHz / 5GHz):** 19dBm / 21dBm
- **Simultaneous Dual-Band Wi-Fi AP:** Yes
- **Antenna Connectors:** 2x SMA Cellular, 1x SMA GPS, 2x RP-SMA Wi-Fi
- **Power Input:** Device: 12V – 48V DC
AC Adapter: AC Input 100V – 240V / DC Output 12V
Terminal Block: 12V – 48V DC
- **Power Consumption:** 8W (nominal), 18W (max.)
- **Dimensions:** 160 x 97 x 33.5 mm
- **Weight:** 590 grams
- **Operating Temperature:** -40° – 65°C
- **Humidity:** 15% – 95% (non-condensing)
- **Warranty:** 1-Year Limited Warranty
- **Package Content:** MAX Transit, 12V 2A Power Supply (ACW-601), 2x 5dBi Wi-Fi Antennas (ACW-341), 1x GPS Active Antenna (ACW-232), 2x 2dBi 4G LTE Antennas (ACW-234), 1 Pair of Mounting Brackets (ACW-724), 6pin Terminal Block Connector



- [^] 2 PepVPN Peers are enabled by default. 5 PepVPN Peers are enabled for PrimeCare models which requires PrimeCare Subscription, complementary for the first year.
- ⁺ The WAN port can act as a LAN port if needed.

SPECIFICATIONS - MAX TRANSIT (CAT-18)

- **Cellular WAN Interfaces:** Single LTE-A Pro Modem
- **SpeedFusion Hot Failover:** Yes
- **SpeedFusion WAN Smoothing:** Yes[^]
- **SpeedFusion Bandwidth Bonding:** Yes[^]
- **Number of PepVPN SpeedFusion Peers:** 5[^]
- **WAN Interface:** 1x GE⁺
- **LAN Interface:** 1x GE
- **USB LAN Port:** Micro-USB B
- **Load Balancing/Failover:** Yes
- **Router Throughput:** 400Mbps
- **SpeedFusion Throughput (No Encryption):** 100Mbps
- **SpeedFusion Throughput (256-bit AES):** 60Mbps
- **Recommended Users:** 150
- **Downlink/Uplink Datarate:** 1.2 Gbps/150 Mbps
- **Wi-Fi Standard:** 802.11ac/a/b/g/n 2x2 MIMO
- **Transmit Power (2.4GHz / 5GHz):** 19dBm / 21dBm
- **Simultaneous Dual-Band Wi-Fi AP:** Yes
- **Antenna Connectors:** 4x SMA Cellular, 1x SMA GPS, 2x RP-SMA Wi-Fi
- **Power Input:** Device: 12V – 48V DC
AC Adapter: AC Input 100V – 240V / DC Output 12V
Terminal Block: 12V – 48V DC
- **Power Consumption:** 7.5W (nominal), 18W (max.)
- **Dimensions:** 160 x 97 x 33.5 mm
- **Weight:** 590 grams
- **Operating Temperature:** -40° – 65°C
- **Humidity:** 15% – 95% (non-condensing)
- **Warranty:** 1-Year Limited Warranty
- **Package Content:** MAX Transit (CAT-18), 12V2A Power Supply (ACW-601), 2x 5dBi Wi-Fi Antennas (ACW-341), 1x GPS Active Antenna (ACW-232), 4x 2dBi 4G LTE Antennas (ACW-234), 1 Pair of Mounting Brackets (ACW-724), 6pin Terminal Block Connector



[^] Requires PrimeCare Subscription, complementary for the first year.
⁺ The WAN port can act as a LAN port if needed.



ORDERING INFORMATION

Product Code	Carrier	Embedded Modems	4G Bands	3G Bands
MAX-TST-LTEA-P-T	Asia Pacific / CAT-6	1	B1, B3, B5, B7, B8, B18, B19, B21, B28, B38, B39, B40, B41	WCDMA/HSPA+/DC-HSPA+: B1, B5, B8, B9, B19 UMTS: B6 TD-SCDMA: B39
MAX-TST-LTEA-K-T	Global* / CAT-12	1	B1, B2, B3, B4, B5, B7, B8, B9, B12, B13, B18, B19, B20, B26, B28, B29, B30, B32, B41, B42, B43, B46, B48, B66	HSPA+: B1, B2, B4, B5, B6, B8, B9, B19
MAX-TST-GLTE-G-T-PRM	Global / CAT-18	1	B1, B3, B25(B2), B66(B4), B26(B5/B18/B19), B7, B8, B12(17), B13, B14, B20, B28, B29, B30, B32, B71, B38, B39, B40, B41, B42, B43, B46, B48	B1, B2, B4, B5(B19), B8

* China & HK TD LTE are excluded.

FEATURE ADD ON

Product Code	Description
PUMA-421-S-W-6	7-in-1 Cellular and Wi-Fi Antenna System with GPS Receiver (White)
PUMA-421-S-B-6	7-in-1 Cellular and Wi-Fi Antenna System with GPS Receiver (Black)
PUMA-221-S-W-6	5-in-1 Cellular and Wi-Fi Antenna System with GPS Receiver (White)
PUMA-221-S-B-6	5-in-1 Cellular and Wi-Fi Antenna System with GPS Receiver (Black)

Why Rising Connection is using equipment designed and built by Peplink?

- Industry leader in both ISP & Data Bonding across multiple technology platforms
- Reliable hardware from entry level professional equipment through to advanced Enterprises solutions
- Worldwide supported and local support here in Australia by fully trained technicians
- Reliable and secure redundancy paths for mission critical sites
- Designed for maximum possible business uptime

This demonstrates to Rising Connection that you will have the Quality, Reliability and Product Support.