



PRODUCT DATASHEET  
SpeedFusion Engine

Integrate SpeedFusion SD-WAN  
Into Any System



# SpeedFusion Engine

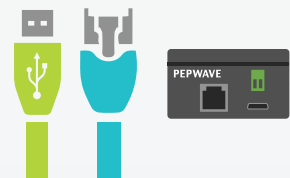
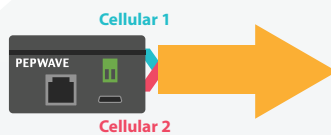
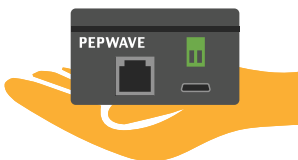


You have a product that needs to get connected anytime, anywhere. The best solution is to integrate unbreakable connectivity into your product. The SpeedFusion Engine helps you integrate SpeedFusion SD-WAN into your product, overcoming several key challenges:

**Need to Minimise Footprint and Weight**

**Cellular Coverage and Network Stability Not Guaranteed**

**Integrating Cellular Connectivity is Complex**



**Ultra-Compact SpeedFusion SD-WAN**

The SpeedFusion Engine fits in the palm of your hand, making it easy to integrate into your existing products.

**Combine the Bandwidth of 2 Cellular Connections**

With a Peplink router at HQ, SpeedFusion SD-WAN technology combines 2 cellular connections to ensure reliable connectivity, no matter where you deploy.

**Plug-n-Play Integration, Low Power Consumption**

With an Ethernet port, a USB port, and 10W consumption, the SpeedFusion Engine can integrate with your devices without complicated software porting.

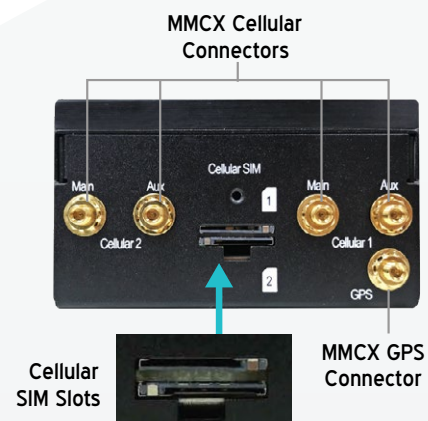
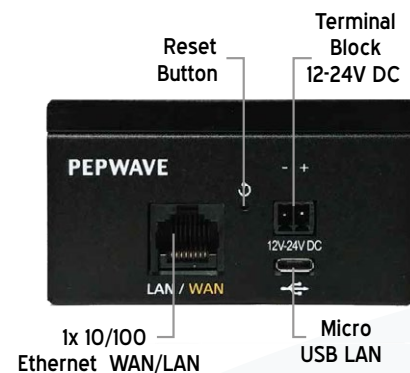
# PRODUCT DATASHEET

## SpeedFusion Engine



### SPECIFICATIONS

- **WAN Interface:** 1x FE, 1 or 2x Embedded LTE Modems
- **LAN Interface:** 1x FE, 1x USB Port
- **USB LAN Port:** Micro-USB B
- **Router Throughput:** 100 Mbps
- **Recommended Users:** 1 - 60
- **LTE Modem:** Downlink/Uplink Datarate: 100Mbps/50Mbps
- **LTE-A Modem:** Downlink/Uplink Datarate: 300Mbps/50Mbps
- **Cellular and GPS Antennas Connector:** 4x MMCX Antenna Connectors, 1x MMCX GPS Antenna Connector
- **Power Input:** Terminal Block 12V-24V DC
- **Power Consumption:** 15W (max.)
- **Dimensions:** 75 x 83 x 42 mm
- **Weight:** 350 grams
- **Operating Temperature:** -40° – 65°C
- **Humidity:** 15% – 95% (non-condensing)
- **Certifications:** FCC, CE, RoHS, E-Mark, EN 61373: 2010 - Shock and Vibration Resistance, EN 50155: 2007 - Railway Applications - Electronic Equipment used on Rolling Stock
- **Warranty:** 1-Year Limited Warranty
- **Package Content:** SpeedFusion Engine, 1 Pair of Mounting Brackets (ACW-769), 2pin Terminal Block Connector



# PRODUCT DATASHEET

## SpeedFusion Engine



### ORDERING INFORMATION

Product Code	Carrier/Region	Embedded Modems	Cellular Standard	4G Bands/ Frequencies (MHz)	3G Bands/ Frequencies (MHz)
SFE-DUO-LTEA-P-ET	Asia Pacific/CAT-6	2	LTE Advanced	B1, B3, B5, B7, B8, B18, B19, B21 B28, B38, B39, B40, B41	WCDMA/HSPA+/ DC-HSPA+: B1, B5, B8, B9, B19 UMTS: B6 TD-SCDMA: B39

### CUSTOM OPTIONS

Product Code	Description
SIM-BK8-4E-56V	SIM Injector, 8x SIM cards capacity, 4x 10/100/1000 LAN ports, 56V DC
PUMA-401-S-W-6	5-in-1 Cellular Antenna System with GPS Receiver (White)
PUMA-401-S-B-6	5-in-1 Cellular Antenna System with GPS Receiver (Black)

#### Why Rising Connection is using equipment designed and built by Peplink?

- Industry leader in both ISP & Data Bonding across multiple technology platforms
- Reliable hardware from entry level professional equipment through to advanced Enterprises solutions
- Worldwide supported and local support here in Australia by fully trained technicians
- Reliable and secure redundancy paths for mission critical sites
- Designed for maximum possible business uptime

This demonstrates to Rising Connection that you will have the Quality, Reliability and Product Support.