



Single Cellular Router for Mobile Outdoor Deployments

MAX HD1 Dome



Compatible With:



The HD1 Dome provides single-cellular Bandwidth Bonding in an IP67 enclosure that has a minimal profile on the rooftop while providing maximum signal. With redundant SIM, the HD1 Dome supports single cellular radios and four SIM cards. Combine the HD1 Dome with the SIM Injector, and the number of cards increases to twelve.



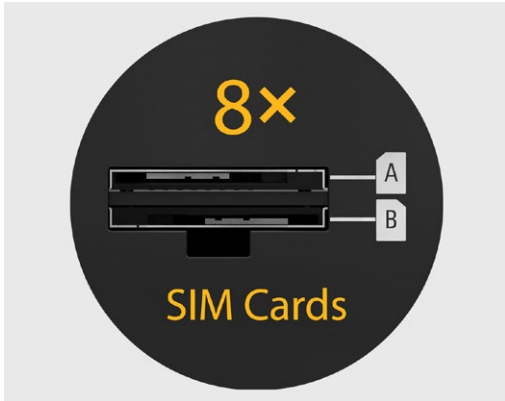
Minimum Cable Loss, Best Cellular Signal Quality

Most outdoor deployments require a centrally placed router attached to strategically placed antennas. With the HD1 Dome, the antennas are placed in the same integrated enclosure as the cellular radios. This arrangement minimises cable loss, giving you the best signal possible.



Simple Installation Running a Single Ethernet Cable

The HD1 Dome has a M35 screw mount, and only requires a single Ethernet cable to install. For wall or pole mounted deployments, the HD1 Dome comes with an Ethernet splitter and a mounting rack that provides a multitude of installation options.

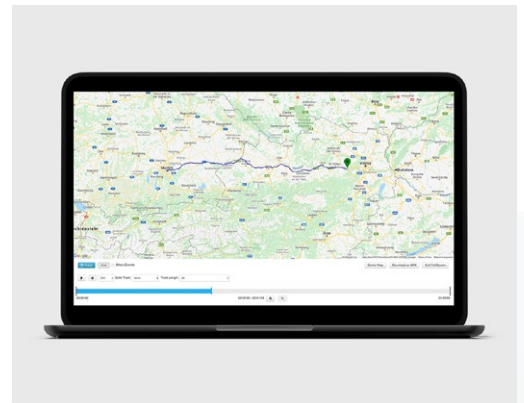


8 Additional SIM With the SIM Injector

With the addition of the SIM Injector, the HD1 Dome can support up to 10 SIM at your fingertips. Simply connect an Ethernet cable between the SIM Injector and the HD1 Dome. The SIM Injector is capable of PoE output, so you don't need to add another PoE switch to your deployment.

Fleet Tracking and Management

With built-in GPS fleet tracking and InControl 2 cloud-based management, you can keep tabs on location and manage your mobile network from any Internet-connected device. InControl 2 is our cloud based device management, monitoring, and reporting tool designed specifically for Peplink and Pepwave devices.



Multiple Mounting Options

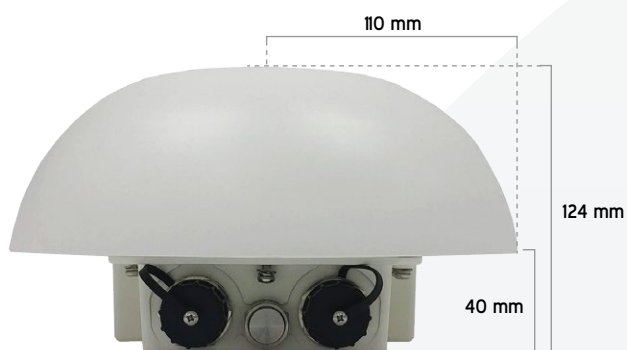
The HD1 Dome offers significant deployment flexibility due to its modular construction. By itself, it has an M35 thread, making it easy to mount on top of any pole or on the rooftop of any vehicle.

The HD1 Dome comes with an Ethernet splitter that enables an additional GE LAN output. With the splitter installed, the HD2 Dome can then be used with the included mounting bracket to fix onto any wall, or to securely tie onto any pole.

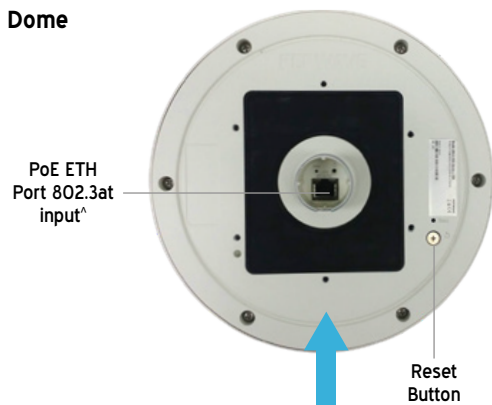
The HD1 Dome, Ethernet splitter, and the mounting bracket are all included, so you can deploy this device just about anywhere.

SPECIFICATIONS

- **WAN Interface:** 1x Embedded LTE Modems with Redundant SIM Slots[#]
- **LAN Interface:** 1x 10/100/1000M Ethernet Ports[^]
- **Downlink/Uplink Datarate:** 1.2 Gbps/150 Mbps
- **Enclosure:** Rugged outdoor IP67
- **Recommended Users:** 150
- **Cellular Antenna:** 4x4 Internal MIMO Antennas, 1x Internal GPS Antenna
- **Included Antenna:** Built-In Omni Antenna, Antenna gain: 4dBi
- **PepVPN:** Yes
- **Power Input:** 1x Power over Ethernet 802.3at
- **Power Consumption:** 20W (max.)
- **Dimensions:** 110mm (radius) x 124mm (height)
- **Weight:** 1700 grams (With Ethernet Splitter), 1200 grams (Without Ethernet Splitter)
- **Operating Temperature:** -40° – 65°C
- **Humidity:** 15% – 95% (non-condensing)
- **Certifications:** FCC, CE, RoHS, RF Port Lightning Immunity: ITU-T K.20 (+/- 1.5 kV), Shock and Vibration Resistance: EN 61373:1999 IEC 61373:1999
- **Warranty:** 1-Year Limited Warranty
- **Package Content:** MAX HD1 Dome, Ethernet Splitter, 2x Waterproof Ethernet Connector (ACW-112), Mounting Kit Set



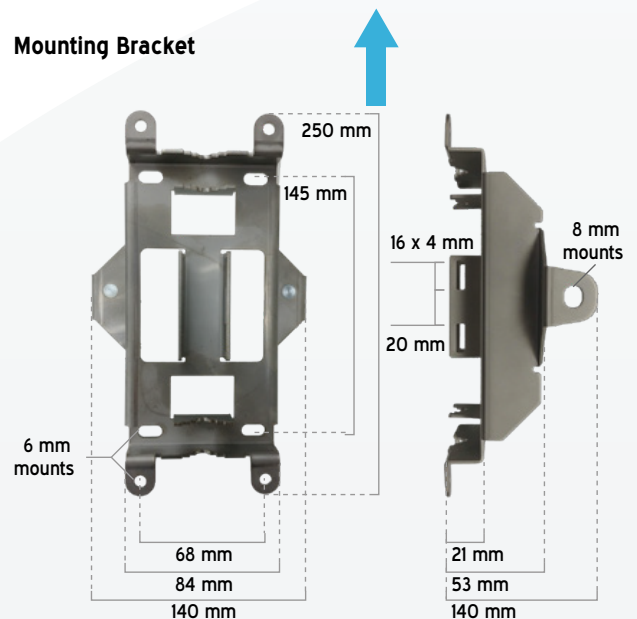
HD1 Dome



Ethernet Splitter



Mounting Bracket



[#] SIM Injector is available separately

[^] Ethernet LAN port can be split into two LAN ports using the included splitter (1x LAN 802.3af PoE out, 1x LAN PoE in)



ORDERING INFORMATION

Product Code	Carrier	Modems	4G Bands	3G Bands
MAX-HD1-DOM-M-GLTE-G	Global / CAT-18	1	B1, B3, B25(B2), B66(B4), B26(B5/B18/B19), B7, B8, B12(17), B13, B14, B20, B28, B29, B30, B32, B71, B38, B39, B40, B41, B42, B43, B46, B48	B1, B2, B4, B5(B19), B8

ACCESSORIES

Product Code	Description
SIM-BK8-4E-56V	SIM Injector
ACW-112	Waterproof Ethernet Adaptor
ACW-650	Puma Thread to HD Dome
ACW-651	1" 14 TPI Female to Puma Thread
ACW-652	1" 14 TPI Male Adapter

Why Rising Connection is using equipment designed and built by Peplink?

- Industry leader in both ISP & Data Bonding across multiple technology platforms
- Reliable hardware from entry level professional equipment through to advanced Enterprises solutions
- Worldwide supported and local support here in Australia by fully trained technicians
- Reliable and secure redundancy paths for mission critical sites
- Designed for maximum possible business uptime

This demonstrates to Rising Connection that you will have the Quality, Reliability and Product Support.