

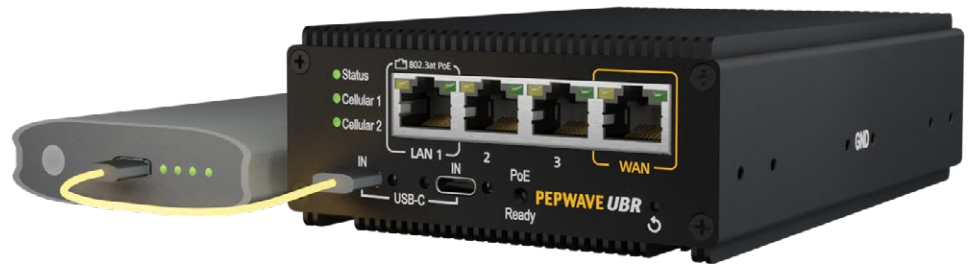


Connectivity On-The-Go

UBR Go

No More Downtime

Its capability to be powered by a dual input USB-C powerbank allows users to experience unbreakable connectivity.



Explore your Creativity

Redefining what you can achieve on the go with integrated PoE output for easy deployment of IP Cam, phone, and access point.



IP Cam



Phone



Access Point

Grow your Possibilities

Its compact design offers twice the ethernet ports compared to typical "devices" giving you the flexibility to connect to multiple networks at the same time.

Stay Connected

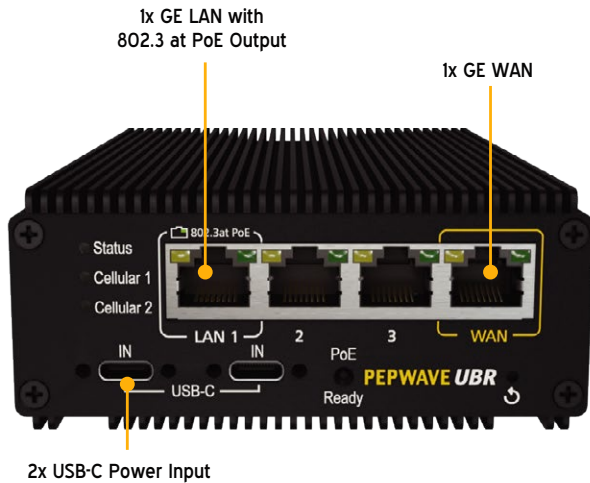
UBR Go comes FusionSIM "ready" ensuring connectivity is globally accessible. Users also have the option to customise data pools depending on needs. Experience enhanced performance without the price tag with our UBR Go and FusionSIM.





PRODUCT DATASHEET

UBR Go



SPECIFICATIONS

- **WAN Interface:** 1x GE, 2x LTE Modems
- **LAN Interface:** 3x GE
- **SpeedFusion Hot Failover:** Yes
- **SpeedFusion WAN Smoothing:** Yes[^]
- **SpeedFusion Bandwidth Bonding:** Yes[^]
- **Number of PepVPN SpeedFusion Peers:** 5[^]
- **Load Balancing/Failover:** Yes
- **Stateful Firewall Throughput:** 400Mbps
- **SpeedFusion Throughput (No Encryption):** 100Mbps
- **SpeedFusion Throughput (256-bit AES):** 60Mbps
- **Recommended Users:** 150
- **Downlink/Uplink Data Rate:**
300Mbps/ 50Mbps (LTE-A Modem),
600Mbps/ 150Mbps (LTE-A Pro Modem)
- **Wi-Fi Standard:** 802.11ac/a/b/q/n 2x2 MIMO
- **Transmit Power (2.4GHz/ 5GHz):** 19dBm/ 21dBm
- **Simultaneous Dual-Band Wi-Fi AP:** Yes
- **Antenna Connectors:** 4x SMA Cellular, 1x SMA GPS, 2x RP-SMA Wi-Fi
- **Power Input:** 2x USB-C (20V DC, 3A)
- **Power Output:** 802.3at up to 25.5W
- **Power Consumption:** 11W, max. 20W
- **Dimensions:** 160 x 101 x 43.5 mm
- **Weight:** 960 grams
- **Operating Temperature:** -40° – 65°C
- **Humidity:** 15% – 95% (non-condensing)
- **Warranty:** 1-Year Limited Warranty
- **Package Content:** UBR Go, 4x LTE Antenna, 2x Wi-Fi Antenna, 1x GPS Antenna, 1x 75W USB-C Power Supply, 1x USB-C to USB-C cable, 1 set of Ear Mount and screws

[^] Requires PrimeCare Subscription, complementary for the first year.



ORDERING INFORMATION

Product Code	Carrier/Category	Cellular Standard	4G Bands	3G Bands
UBR-GO-LTEA-K-T-PRM	Global/ CAT-12	LTE-A Pro	B1, B2, B3, B4, B5, B7, B8, B9, B12, B13, B18, B19, B20, B26, B28, B29, B30, B32, B41, B42, B43, B46, B48, B66	HSPA+: B1, B2, B4, B5, B6, B8, B9, B19
UBR-GO-LTEA-P-T-PRM	Asia-Pacific/ CAT-6	LTE Advance	B1, B3, B5, B7, B8, B18, B19, B21, B28, B38, B39, B40, B41	WCDMA/HSPA+/DC-HSPA+: B1, B5, B8, B9, B19 UMTS: B6, TD-SCDMA: B39

FEATURE ADD ON

Product Code	Description
ACW-DIN-TST	DIN Rail Mount for UBR Go
UBR-GO-LTEA-1Y	Peplink PrimeCare (1 Year) for UBR Go LTEA
UBR-GO-LTEA-2Y	Peplink PrimeCare (2 Year) for UBR Go LTEA
UBR-GO-LTEA-4Y	Peplink PrimeCare (4 Year) for UBR Go LTEA

Why Rising Connection is using equipment designed and built by Peplink?

- Industry leader in both ISP & Data Bonding across multiple technology platforms
- Reliable hardware from entry level professional equipment through to advanced Enterprises solutions
- Worldwide supported and local support here in Australia by fully trained technicians
- Reliable and secure redundancy paths for mission critical sites
- Designed for maximum possible business uptime

This demonstrates to Rising Connection that you will have the Quality, Reliability and Product Support.