



Versatile Single Cellular  
Router with High Port Capacity



# MAX BR1 Pro



## Connect Everything, Affordably

The BR1 Pro features 4x GE LAN ports to connect your wired clients, and Wi-Fi LAN to connect your wireless ones. All this in a rugged DIN mount compatible enclosure.

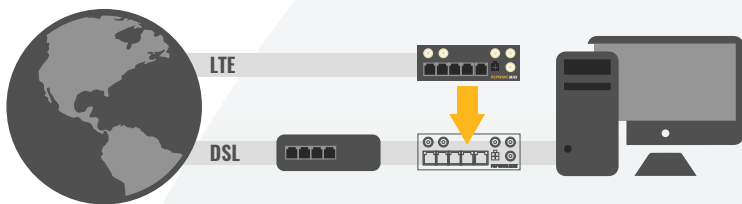
## Fits Anywhere

At 5.1 x 4.3 x 1.6 inches, the BR1 Pro can fit into tight spaces. It can also be mounted on DIN rails from different angles, so it fits anywhere that the rails can be installed.



## Mobile Ready

The BR1 Pro can accept power via a terminal block and is equipped with GPS. It also supports Ignition Sense, enabling it to power up or down depending on the vehicle's ignition status.



## Easy to Deploy

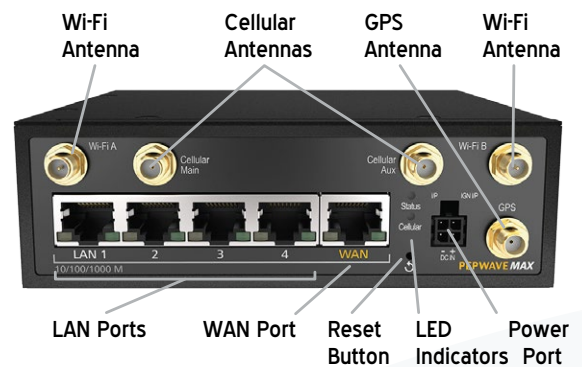
Set up the BR1 Pro without changing the network configuration of your other devices. Use InControl to manage your whole network from any web browser.

## SPECIFICATIONS

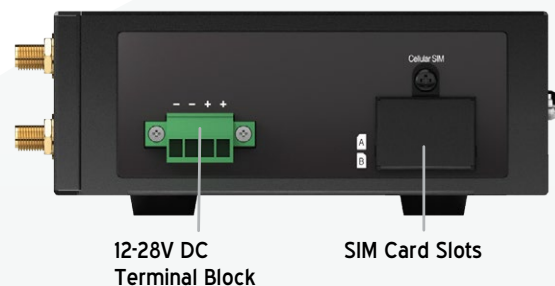
- **WAN Interface:** 1x GE, 1x Embedded LTE Modem with Redundant SIM Slots
- **LAN Interface:** 4x GE
- **Drop-in Mode:** Yes
- **Wi-Fi Interface:** 802.11a/n or b/g/n 300Mbps
- **Router Throughput:** 120Mbps
- **Recommended Users:** 60
- **LTE Modem:** Downlink/Uplink Datarate: 150Mbps/50Mbps
- **LTE-A Modem:** Downlink/Uplink Datarate: 300Mbps/50Mbps
- **Antenna Connector:** 2x SMA Cellular, 2x Wi-Fi, 1x SMA GPS
- **Power Input:** Device: 12V – 28V DC, AC Adapter: AC Input 100V – 240V / DC Output 12V, Terminal Block: 12V – 28V DC
- **Power Consumption:** 24W (max.)
- **Dimensions:** 130 x 110 x 41 mm
- **Weight:** 515 grams
- **Operating Temperature:** -40° – 65°C
- **Humidity:** 15% – 95% (non-condensing)
- **Certifications:** FCC, CE, RoHS, IC: 20682-P1930LITER5
- **Warranty:** 1-Year Limited Warranty
- **Package Content:** MAX BR1 Pro, 12V2A Power Supply (ACW-632), 2x Wi-Fi Dual Band Antenna (ACW-341), 1x GPS Antenna (ACW-232), 2x LTE Antennas (ACW-813), 4pin Terminal Block Connector, Rubber Foot Pad set



Front



Side



Back





## ORDERING INFORMATION

Product Code	Carrier / Category	Embedded Modem	4G Bands	3G Bands
MAX-BRI-PRO-LTEA-P-T	Asia Pacific / CAT-6	2	4G LTE-A: B1, B3, B5, B7, B8, B18, B19, B21, B28, B38, B39, B40, B41	WCDMA/HSPA+/DC-HSPA+: B1, B5, B8, B9, B19 UMTS: B6 TD-SCDMA: B39

## FEATURE ADD-ON

Product Code	Description
MAX-BRI-ADV	Package includes a software license key for Advanced Car-Fi Roaming; and SpeedFusion / IPsec X.509 Certification Support
PVN-LC-05	Enables up to 5 PepVPN peers
ACW-DIN-M2MS	DIN Rail mount kit that fits the BRI M2M, BRI Slim, BRI Pro, SFE and UBR LTE
ANT-MB-22G-S-W-6	5-in-1 Cellular and Wi-Fi Antenna System with GPS Receiver (White)
ANT-MB-22G-S-B-6	5-in-1 Cellular and Wi-Fi Antenna System with GPS Receiver (Black)

### Why Rising Connection is using equipment designed and built by Peplink?

- Industry leader in both ISP & Data Bonding across multiple technology platforms
- Reliable hardware from entry level professional equipment through to advanced Enterprises solutions
- Worldwide supported and local support here in Australia by fully trained technicians
- Reliable and secure redundancy paths for mission critical sites
- Designed for maximum possible business uptime

This demonstrates to Rising Connection that you will have the Quality, Reliability and Product Support.